

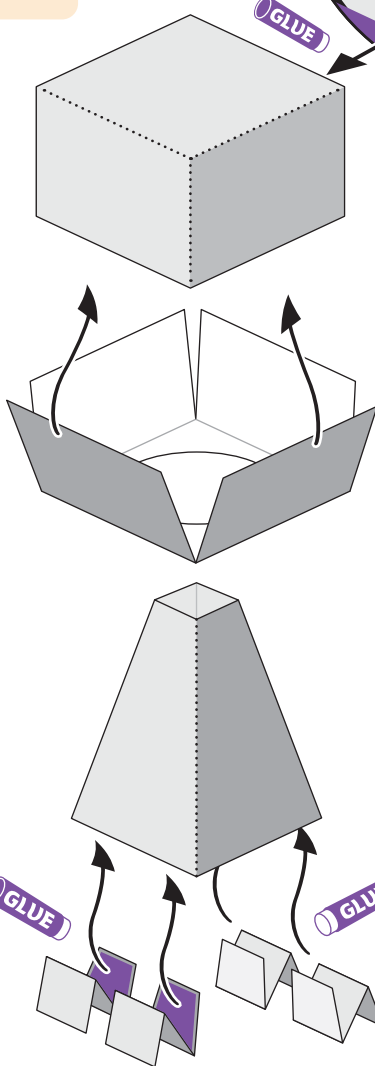
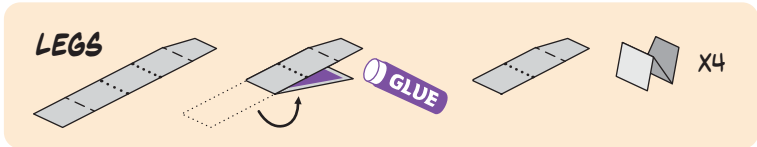
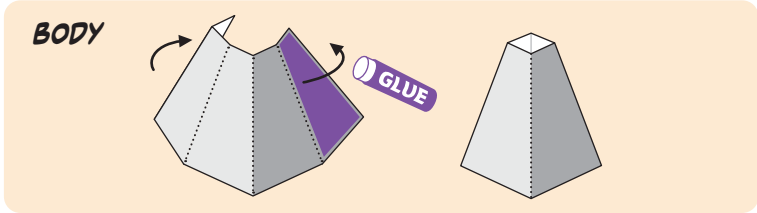
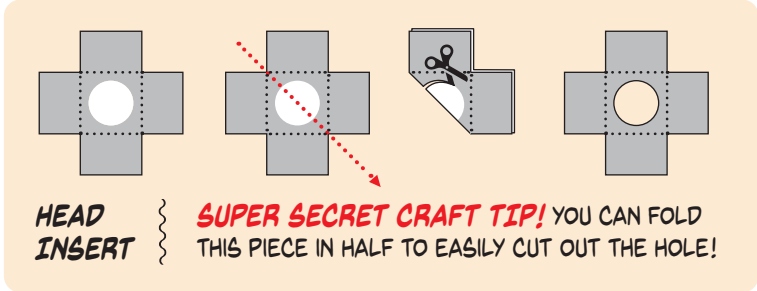
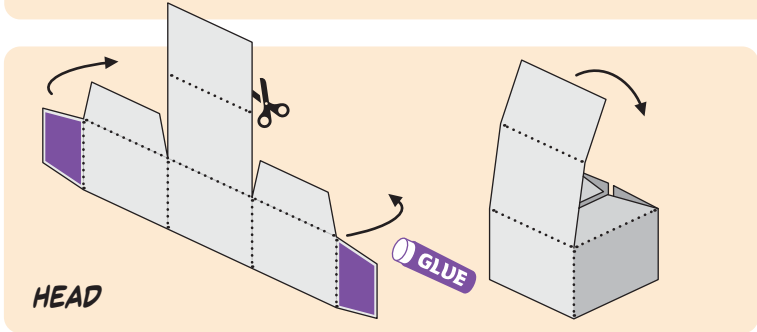


READ FIRST!

 **VIDEO TUTORIALS** AVAILABLE ON YOUTUBE!
CAREFULLY **CUT OUT** ALL THE PIECES WITH SCISSORS.
PRE-CREASE ALL FOLD LINES BEFORE APPLYING GLUE.
..... DOTTED LINES ARE **MOUNTAIN FOLDS!**
- - - - DASHED LINES ARE **VALLEY FOLDS!**
 **GLUE ZONES!**

HAVE FUN!

SPEECH BUBBLE



KOOKY CRAFTABLES™

CUT • FOLD • GLUE
MINECRAFT - CREEPER - PAPER TOY

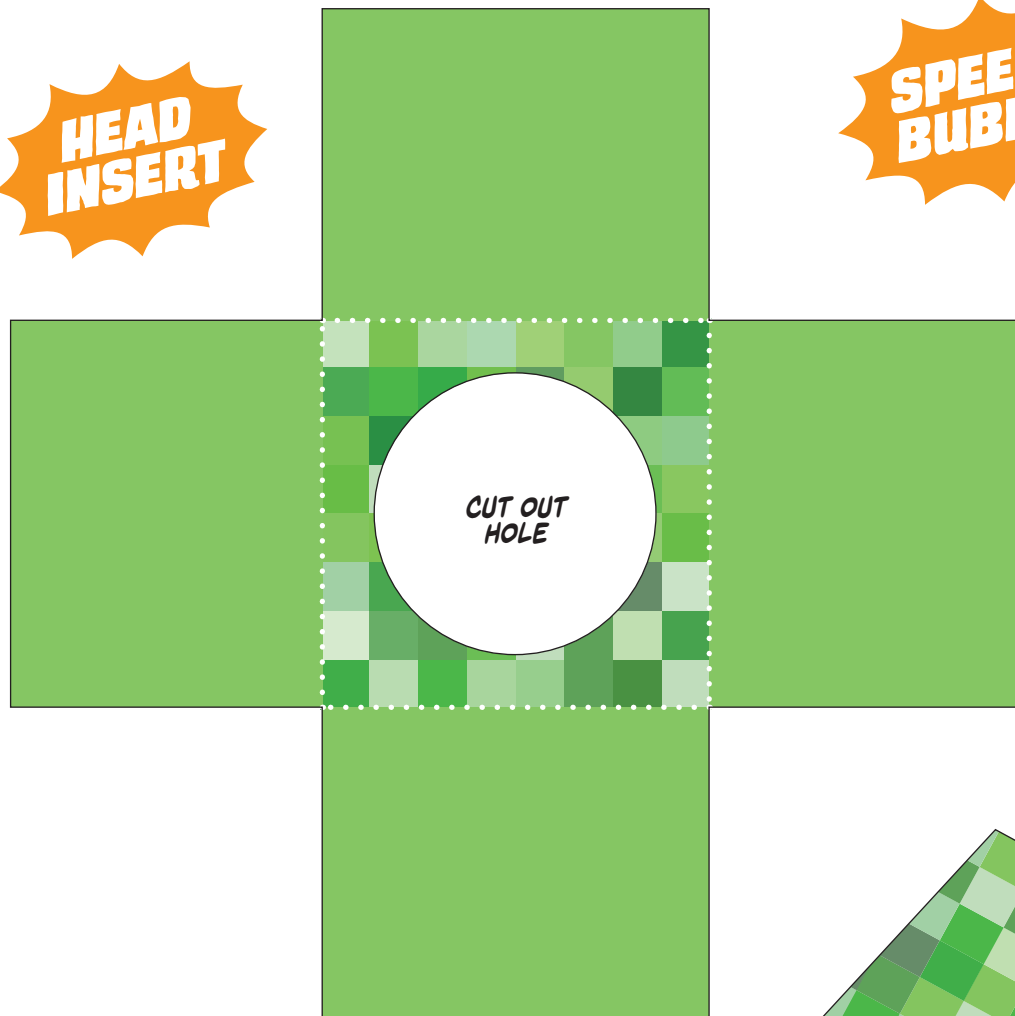
WOW!

FULLY-POSEABLE HEAD!





**HEAD
INSERT**

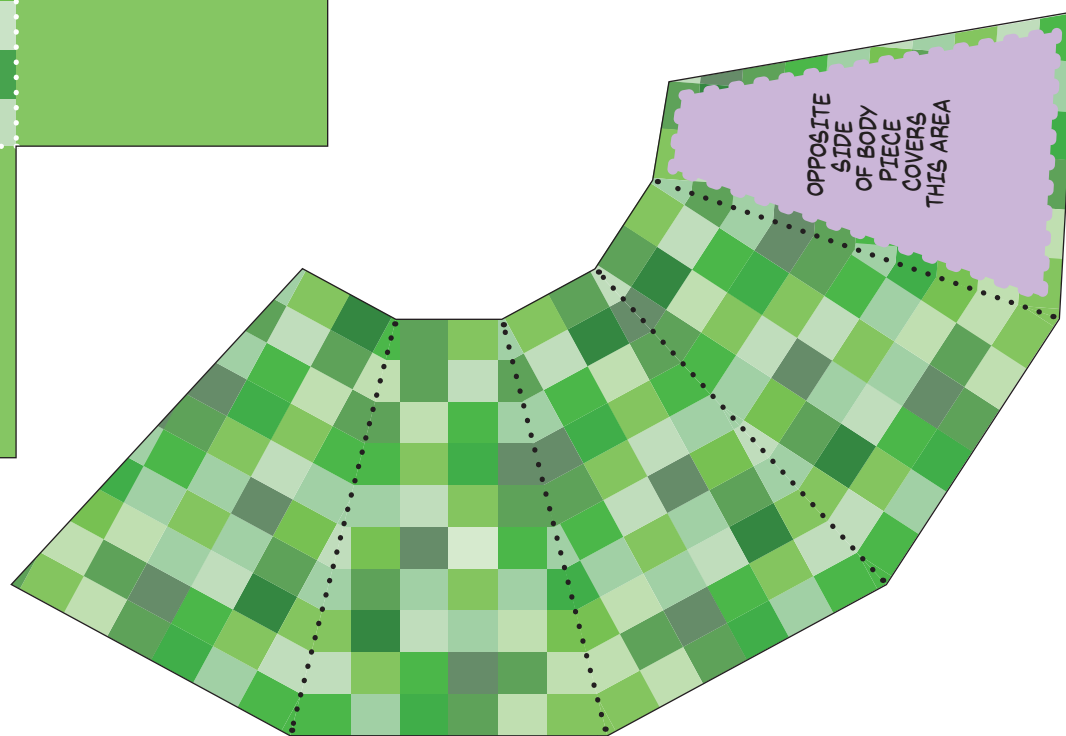


CUT OUT
HOLE

**SPEECH
BUBBLE**



BODY



Get free paper craft in your **INBOX!**

Subscribe to the Creative Muscle Monthly e-newsletter at KookyCraftables.com



Paper craft books by the creator of KookyCraftables.com

Papercuttables

Build 15 unique Papercuttables, and become a crafty participant in an exciting action-packed story! Race against time in order to save your creations from a dark and mysterious force set out to destroy the land of the Papercuttables once and for all!

Papercuttables is an 80-page paper craft book by David Landis and published by SCHOLASTIC – the largest publisher of children’s books in the world!



papercuttables.com



Desktop Gremlins Vol. 1

Build 20 astounding paper sculptures! Desktop Gremlins are paper craft monsters, mischief-makers and magical creatures that are easy to build, fun to display, and awesome to share! Each character has a different story and extraordinary reasons to be sitting on your desk.

Desktop Gremlins is a 96-page paper craft book by David Landis.

desktopgremlins.com

Learn more at landisproductions.com

